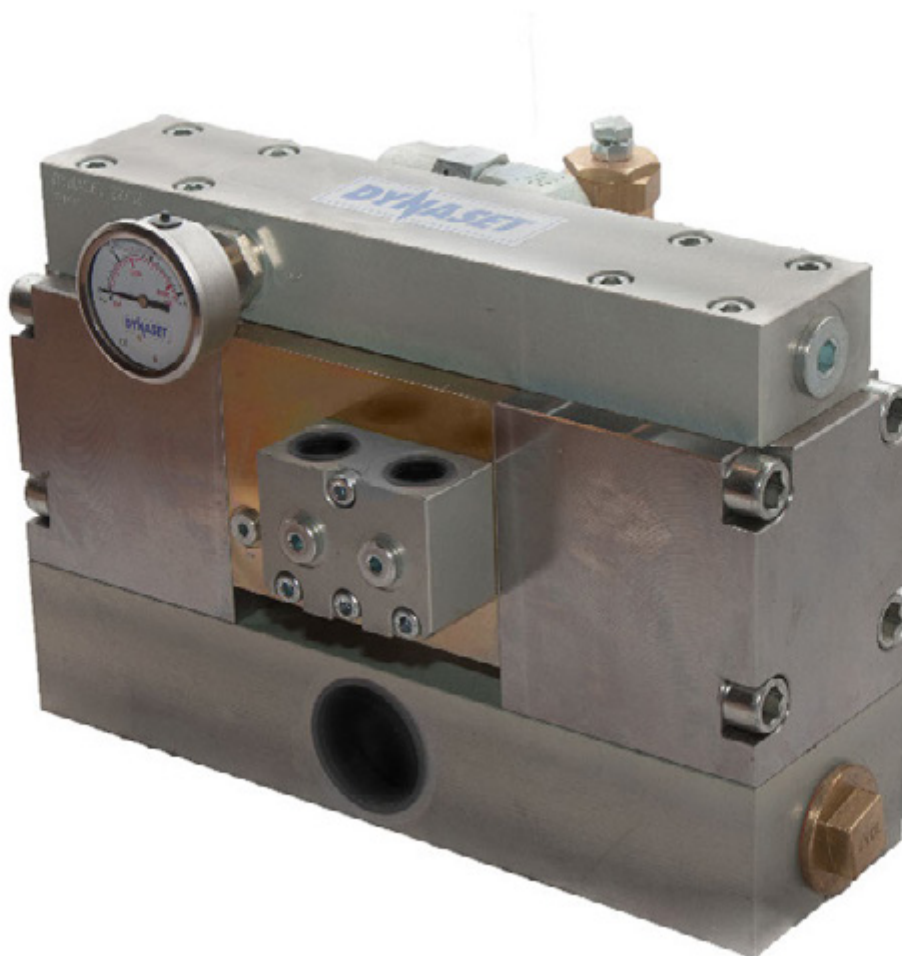
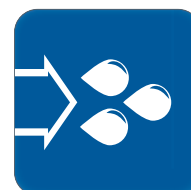


DYNASET
POWERED BY HYDRAULICS



SPARE PARTS
HIGH PRESSURE WATER PUMPS

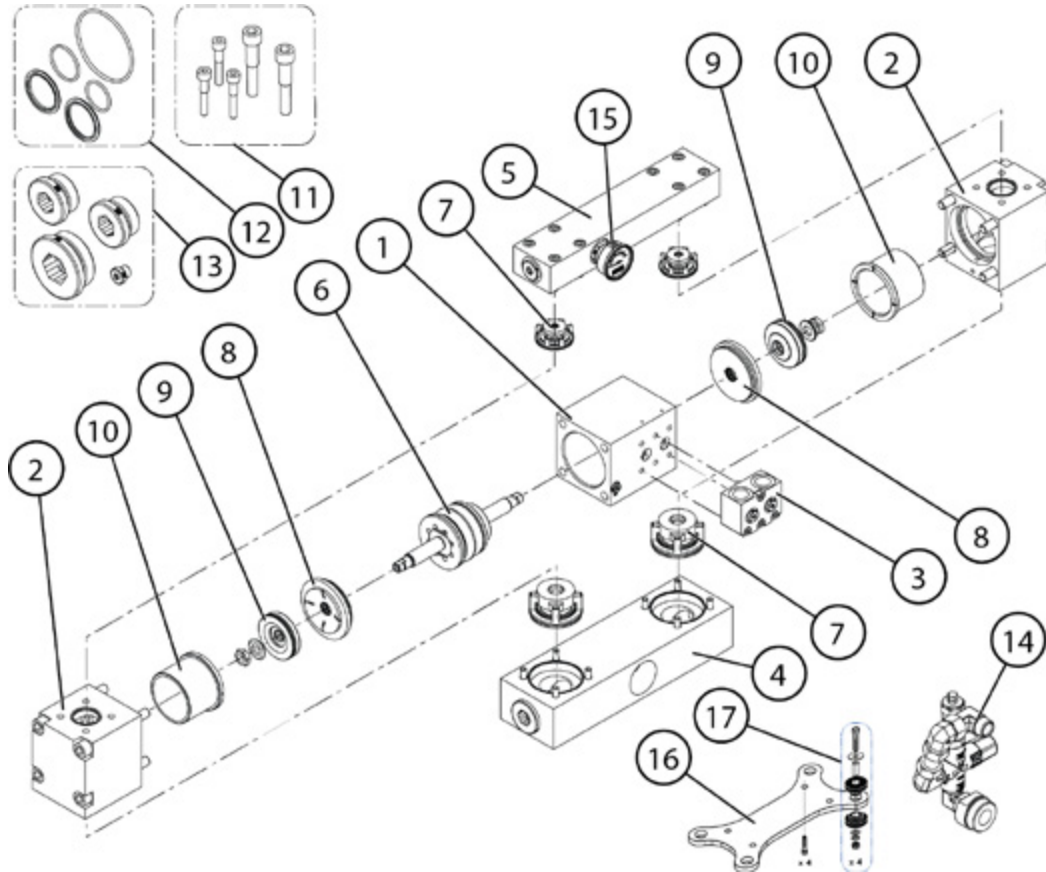


HPW 130 /180-140

SPARE PARTS

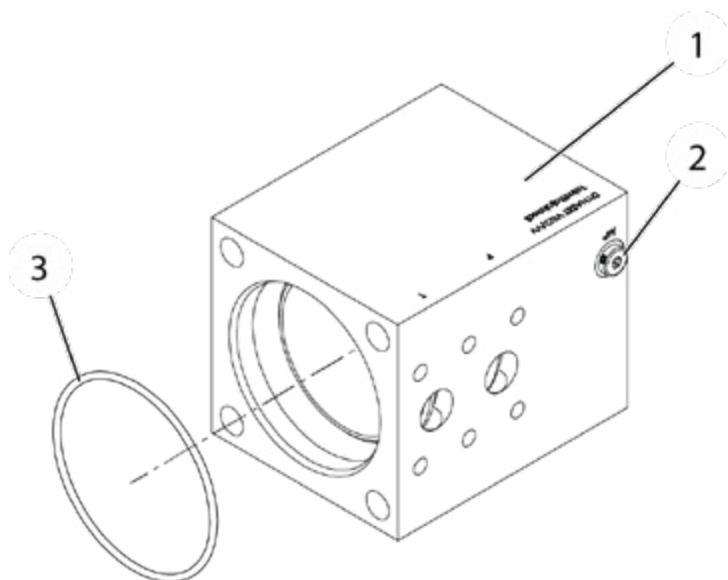
MAIN COMPONENTS	3
1. CENTER BODY	4
2. HEAD	5
3. PT BLOCK	6
4. PISTON	10
5. SUCTION MANIFOLD	12
6. PRESSURE MANIFOLD	13
7. WATER VALVE	14
8. SEAL FLANGE KIT	16
9. SECONDARY PISTON KIT	17
10. WATER CYLINDER	18
11. SCREW KIT	19
12. SEAL KIT	20
13. PLUG KIT	22
14. UNLOADER VALVE	23
15. PRESSURE GAUGE KIT	24

MAIN COMPONENTS



POS	PART NUMBER	QTY	DESCRIPTION	DETAILS	DETAILS 2
1		1	CENTER BODY		See separate part list
2		2	HEAD		See separate part list
3		1	PT BLOCK		See separate part list
4		1	SUCTION MANIFOLD		See separate part list
5		1	PRESSURE MANIFOLD		See separate part list
6		1	PISTON		See separate part list
7		1	WATER VALVE KIT		See separate part list
8		2	SEAL FLANGE		See separate part list
9		2	SECONDARY PISTON		See separate part list
10		2	WATER CYLINDER		See separate part list
11			SCREW KIT		See separate part list
12			SEAL KIT		See separate part list
13			PLUG KIT		See separate part list
14			UNLOADER VALVE		See separate part list
15			PRESSURE GAUGE KIT		See separate part list
16	D219 011 784	1	MOUNTING PLATE KIT		
17	V100 100 010	1	RUBBER CUSHION KIT		Includes 4 cushions

1. CENTER BODY



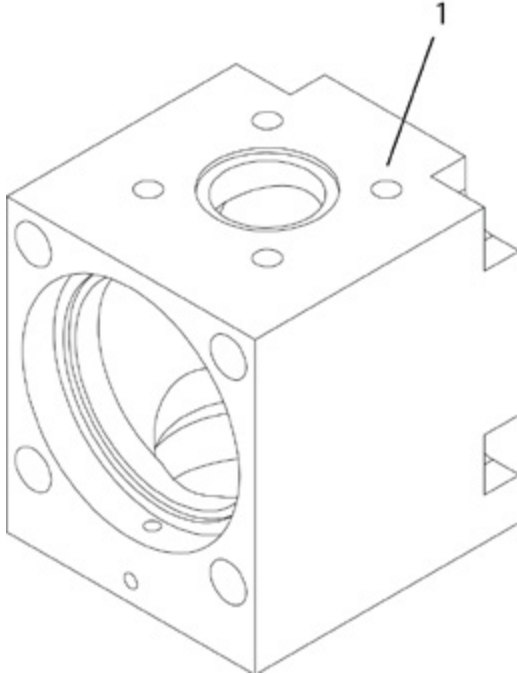
POS	PART NUMBER	QTY	DESCRIPTION	DETAILS	DETAILS 2
1	V100 101 500	1	CENTER BODY		Includes pos. 2-3
2	*	1	HEXAGON SOCKET CAP PLUG	R1/8	
3	*	1	O-RING	87 x 3	

POS	PART NUMBER	QTY	DESCRIPTION	DETAILS	DETAILS 2
1	V100 101 520	1	CENTER BODY AIS	Stainless steel	Includes pos. 2-3
2	*	1	HEXAGON SOCKET CAP PLUG	R1/8	Stainless steel
3	*	1	O-RING	87 x 3	

* Not sold separately. Available only in kit or assembly described above or presented in separate part list.
Read Details 2

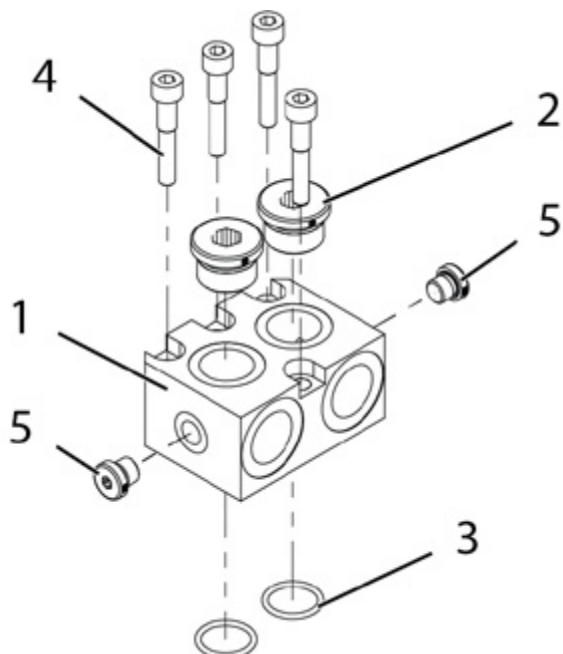
O-rings are also available in Seal kit, see page 20.
Plugs are also available in Plug kit, see page 22.

2. HEAD



POS	PART NUMBER	QTY	DESCRIPTION	DETAILS	DETAILS 2
1	V100 102 393	1	HEAD	Standard	

3. PT BLOCK

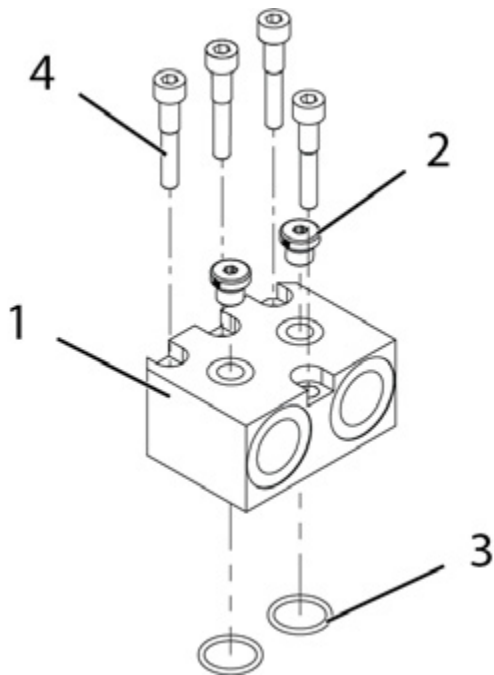


POS	PART NUMBER	QTY	DESCRIPTION	DETAILS	DETAILS 2
	V100 100 700		PT BLOCK		Includes pos. 1-5
1	*	1	PT BLOCK	R3/4 - AI	
2	*	2	HEXAGON SOCKET CAP PLUG	R3/4	
3	*	2	O-RING	21,3 x 2,4	
4	*	4	HEXAGON SOCKET CAP SCREW	M8x45	
5	*	2	HEXAGON SOCKET CAP PLUG	R1/4	

POS	PART NUMBER	QTY	DESCRIPTION	DETAILS	DETAILS 2
	V100 100 770		PT BLOCK - M		Includes pos. 1-5
1	*	1	PT BLOCK	R3/4 - AI	
2	*	2	HEXAGON SOCKET CAP PLUG	R3/4	Stainless steel
3	*	2	O-RING	21,3 x 2,4	
4	*	4	HEXAGON SOCKET CAP SCREW	M8x45	
5	*	2	HEXAGON SOCKET CAP PLUG	R1/4	Stainless steel

* Not sold separately. Available only in kit or assembly described above or presented in separate part list.
Read Details 2

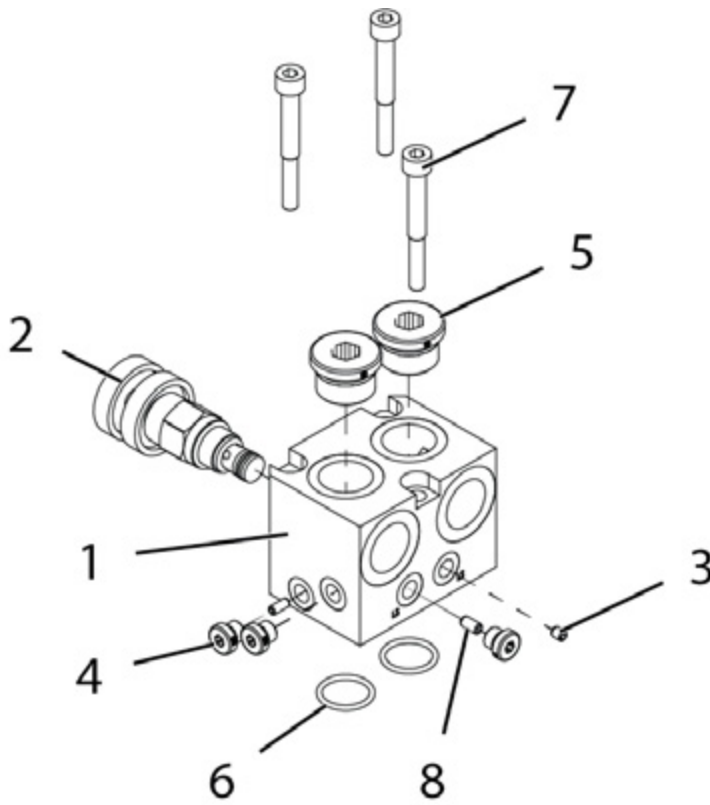
O-rings are also available in Seal kit, see page 20.
Screws are also available in Screw kit, see page 19.



POS	PART NUMBER	QTY	DESCRIPTION	DETAILS	DETAILS 2
	V100 100 720		PT BLOCK - AIS		Includes pos. 1-4
1	*	1	PT BLOCK	R3/4 - AIS	Stainless Steel
2	*	2	HEXAGON SOCKET CAP PLUG	R1/4	Stainless Steel
3	*	2	O-RING	21,3 x 2,4	
4	*	4	HEXAGON SOCKET CAP SCREW	M8x45	Stainless Steel

* Not sold separately. Available only in kit or assembly described above or presented in separate part list.
Read Details 2

O-rings are also available in Seal kit, see page 20.
Screws are also available in Screw kit, see page 19.

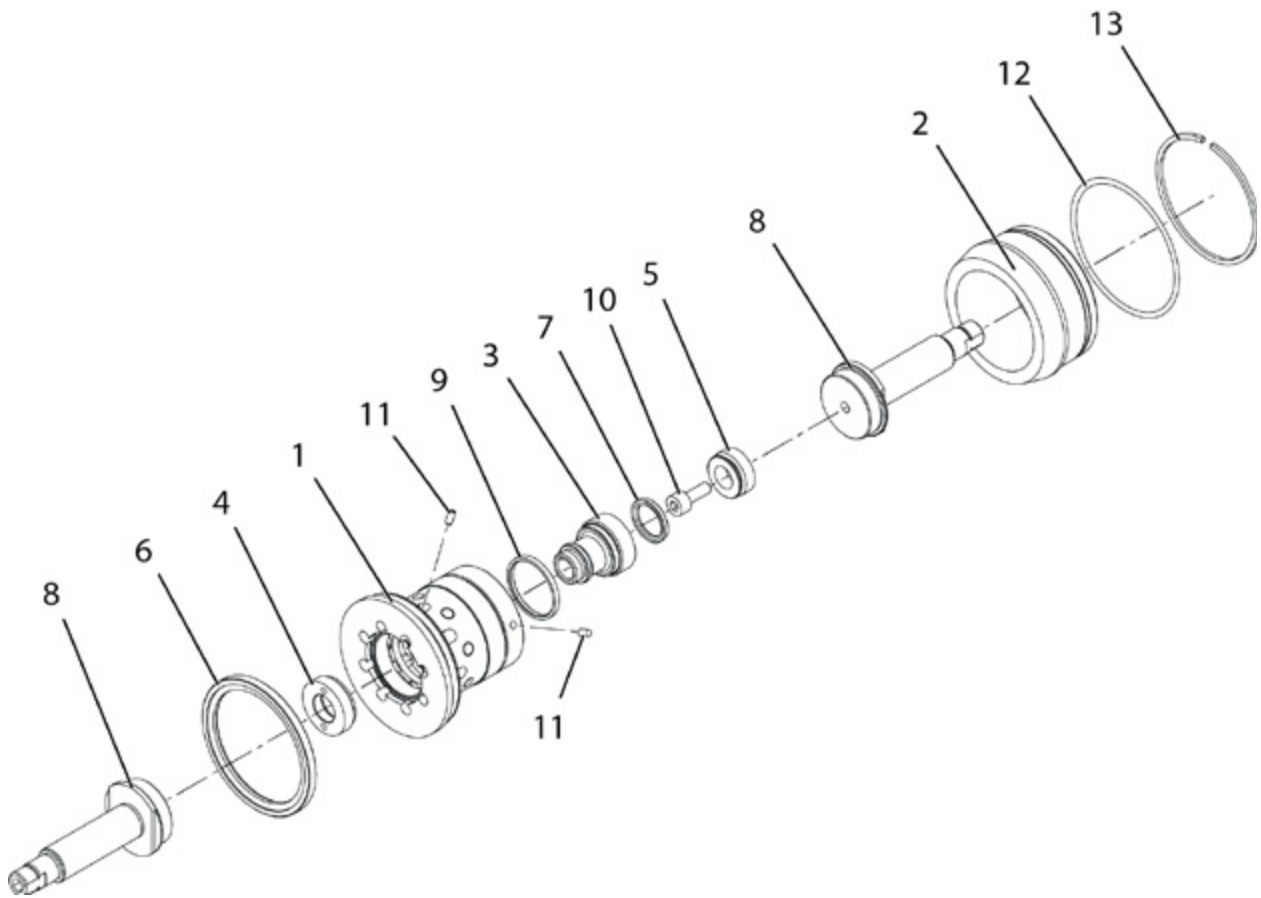


SPARE PARTS

POS	PART NUMBER	QTY	DESCRIPTION	DETAILS	DETAILS 2
	V100 100 740		PT BLOCK LS		Includes pos. 1-9
1	*	1	PT BLOCK	R3/4 - AI - LS	
2	*	1	PRESSURE RELIEF VALVE CARTRIDGE	35-350 bar	
3	*	1	ORIFICE	M6	
4	*	3	HEXAGON SOCKET CAP PLUG	R1/8	
5	*	2	HEXAGON SOCKET CAP PLUG	R3/4	
6	*	2	O-RING	21,3 x 2,4	
7	*	3	HEXAGON SOCKET CAP SCREW	M8x65	
8	*	2	SET SCREW	M4	

* Not sold separately. Available only in kit or assembly described above or presented in separate part list.
Read Details 2

4. PISTON



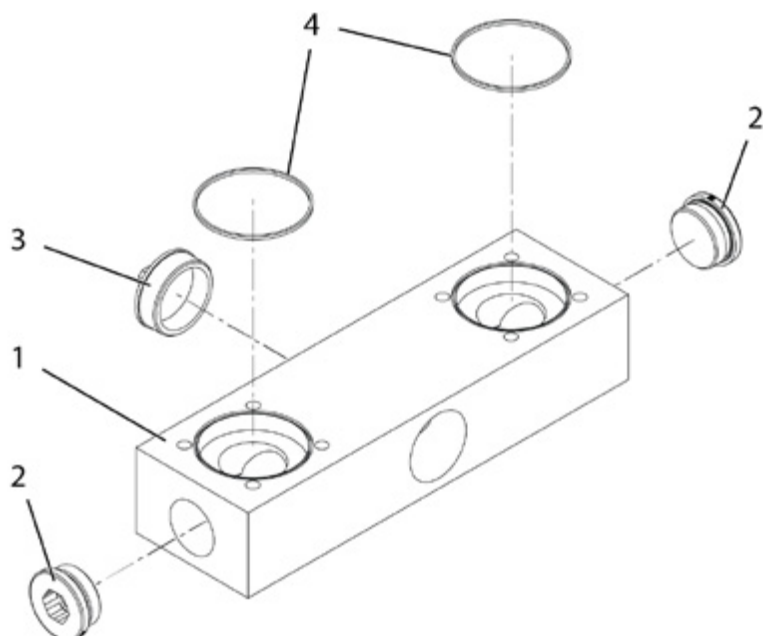
SPARE PARTS

POS	PART NUMBER	QTY	DESCRIPTION	DETAILS	DETAILS 2
	V100 102 422		PISTON KIT	Piston kit includes 2 Piston rods	Includes pos. 1-13
1	*	1	HYDRAULIC PISTON	D90 / d65,5	
2	*	1	CYLINDER LINER	D65,5	
3	*	1	VALVE SPOOL	D36-41,5	
4	*	1	VALVE SEAT	D35,5-10,5	
5		1	REVERSAL VALVE GUIDE	D28,5	
6	*	1	PISTON SEAL ASSEMBLY	M90	
7	*	1	PISTON SEAL ASSEMBLY	M28,5	
8	V100 102 420	1	PISTON ROD	D63	
9	*	1	ROD SEAL	36/41	
10	*	1	HEXAGON SOCKET CAP SCREW	M8 x 20	
11	*	2	SET SCREW	M5x10	
12	*	1	O-RING	87 x 3	
13	*	1	LOCK RING	SW 85 x 2,5	
	V100 102 418		HYDRAULIC PISTON KIT	Piston rods excluded	Includes pos. 1-4, 6, 9, 11-13
	V100 102 529		REVERSAL VALVE GUIDE KIT		Includes pos. 5, 7, 10
	V100 101 130		PISTON SEAL KIT		Includes pos. 6, 7, 9

* Not sold separately. Available only in kit or assembly described above or presented in separate part list.
Read Details 2

Seals and O-rings are also available in Seal kit, see page 20.

5. SUCTION MANIFOLD



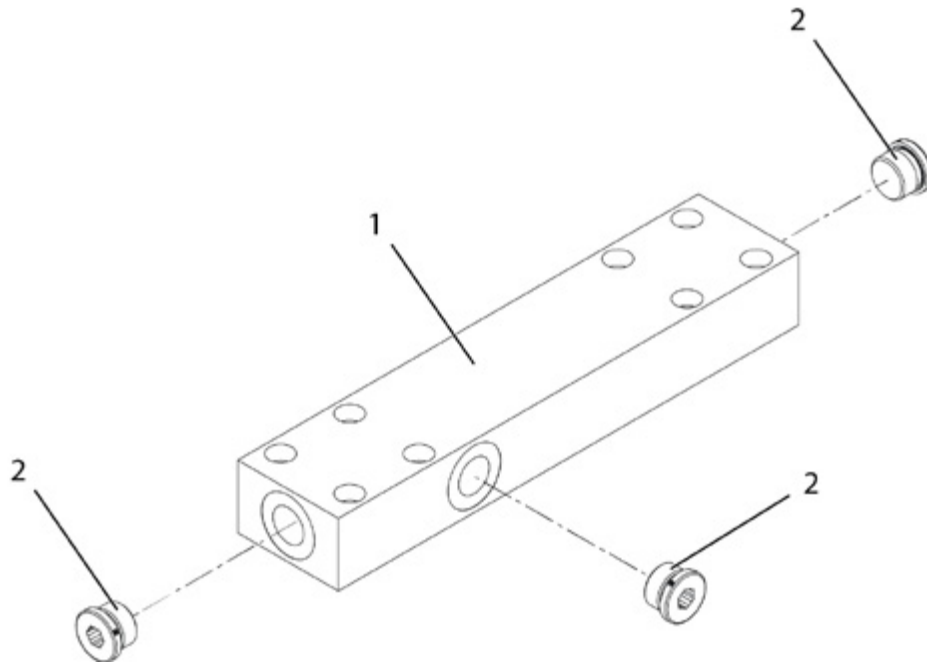
POS	PART NUMBER	QTY	DESCRIPTION	DETAILS	DETAILS 2
	V100 102 416		SUCTION MANIFOLD KIT		Includes pos. 1-4
1	*	1	SUCTION MANIFOLD	Al	
2	*	2	HEXAGON SOCKET CAP PLUG	R1 1/2	
3	*	1	PLUG	R2	
4	*	2	SEAL	D86 / d82	

POS	PART NUMBER	QTY	DESCRIPTION	DETAILS	DETAILS 2
	V100 102 417		SUCTION MANIFOLD KIT M		Includes pos. 1-4
1	*	1	SUCTION MANIFOLD	Al	
2	*	2	HEXAGON SOCKET CAP PLUG	R1 1/2	Stainless steel
3	*	1	PLUG	R2	
4	*	2	SEAL	D86 / d82 - L2,5	

* Not sold separately. Available only in kit or assembly described above or presented in separate part list.
Read Details 2

Seals are also available in Seal kit, see page 20.
Plugs are also available in Plug kit, see page 22.

6. PRESSURE MANIFOLD



POS	PART NUMBER	QTY	DESCRIPTION	DETAILS	DETAILS 2
	V100 102 396		PRESSURE MANIFOLD KIT		Includes pos. 1-2
1	*	1	PRESSURE MANIFOLD	Al	
2	*	3	HEXAGON SOCKET CAP PLUG	R3/4	

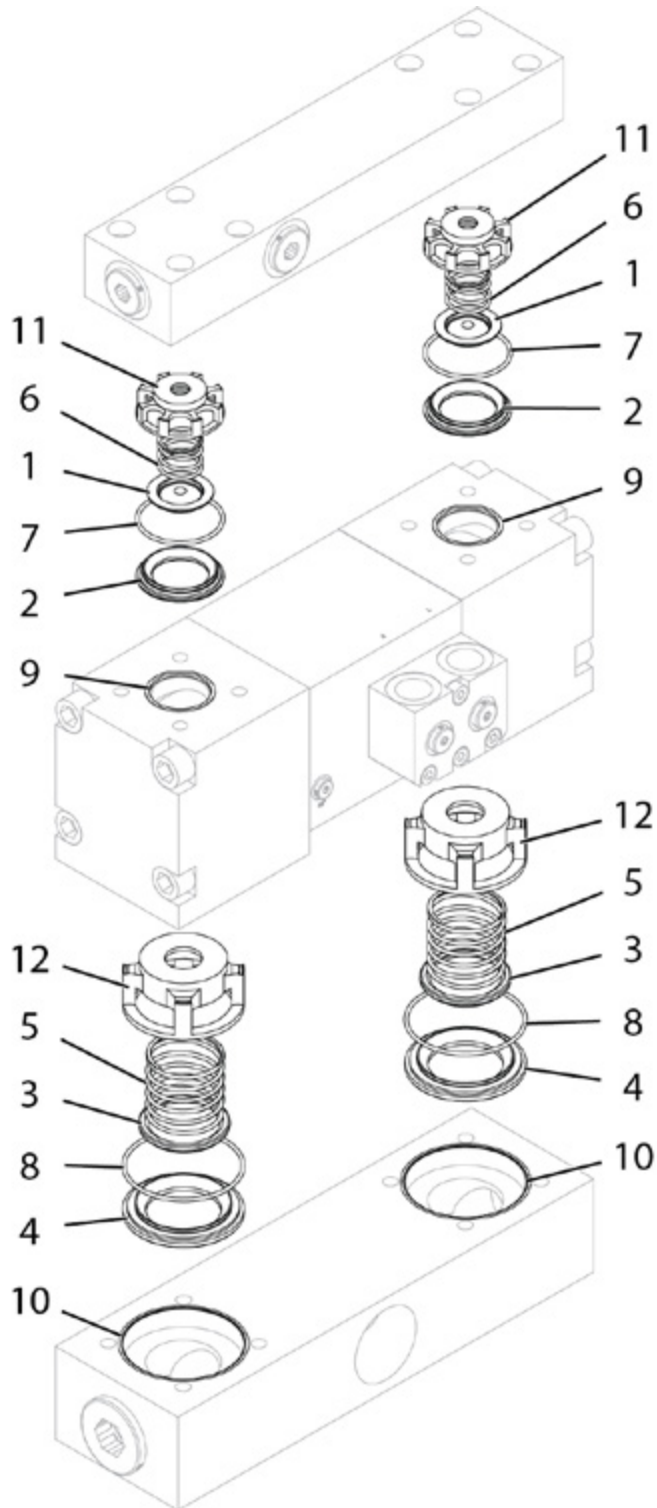
POS	PART NUMBER	QTY	DESCRIPTION	DETAILS	DETAILS 2
	V100 102 397		PRESSURE MANIFOLD KIT AIS		Includes pos. 1-2
1	*	1	PRESSURE MANIFOLD	AIS	
2	*	3	HEXAGON SOCKET CAP PLUG	R3/4	Stainless Steel

POS	PART NUMBER	QTY	DESCRIPTION	DETAILS	DETAILS 2
	V100 102 398		PRESSURE MANIFOLD KIT M		Includes pos. 1-2
1	*	1	PRESSURE MANIFOLD	AL	
2	*	3	HEXAGON SOCKET CAP PLUG	R3/4	Stainless Steel

* Not sold separately. Available only in kit or assembly described above or presented in separate part list.
Read Details 2

Plugs are also available in Plug kit, see page 22.

7. WATER VALVE



NOTE! The pressure valve's (6) spring has less turns than the suction valve's (5) spring.

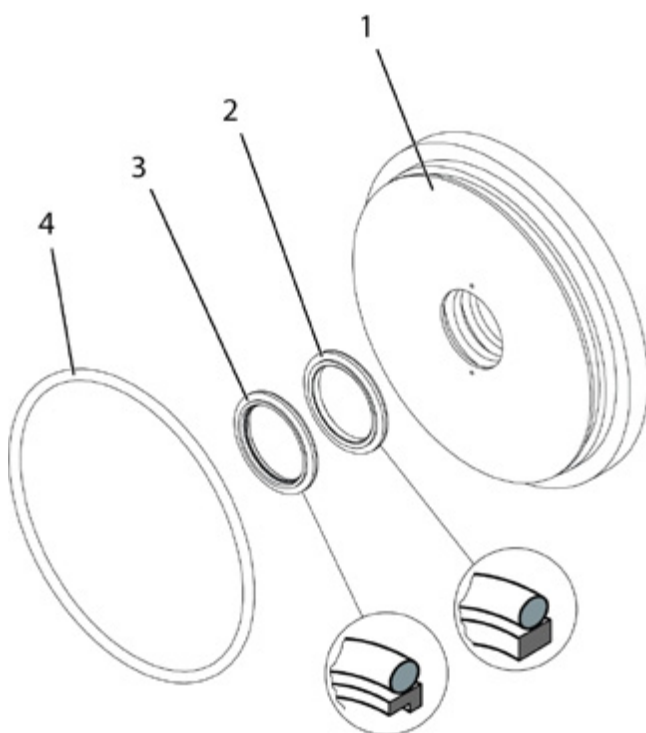
SPARE PARTS

POS	PART NUMBER	QTY	DESCRIPTION	DETAILS	DETAILS 2
	V100 102 405		WATER VALVE KIT		Includes pos. 1-10
1	*	2	WATER VALVE DISK	Pressure	
2	*	2	WATER VALVE SEAT	Pressure	
3	*	2	WATER VALVE DISK	Suction	
4	*	2	WATER VALVE SEAT	Suction	
5	*	2	SPRING	Suction	
6	*	2	SPRING	Pressure	
7	*	2	O-RING	53,64 x 2,62	
8	*	2	O-RING	75,87 x 2.62	
9	*	2	SEAL	D47 / d41	
10	*	2	SEAL	D86 / d82	
11	V100 102 430	1	WATER VALVE CAP	Pressure	
12	V100 102 432	1	WATER VALVE CAP	Suction	

* Not sold separately. Available only in kit or assembly described above or presented in separate part list.
Read Details 2

O-rings and seals are also available in Seal kit, see page 20.

8. SEAL FLANGE KIT

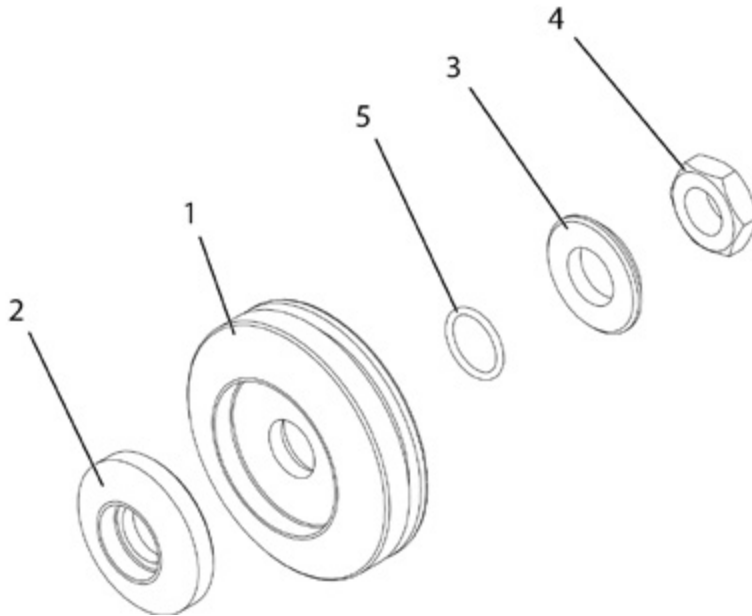


POS	PART NUMBER	QTY	DESCRIPTION	DETAILS	DETAILS 2
	V100 102 414		SEAL FLANGE KIT		Includes pos. 1-4
1	V100 102 415	1	SEAL FLANGE	D90 / d22	
2	*	1	ROD SEAL	2T	
3	*	1	ROD SEAL	1T	
4	*	1	O-RING	84,5 x 3	

* Not sold separately. Available only in kit or assembly described above or presented in separate part list.
Read Details 2

O-ring and seals are also available in Seal kit, see page 20.

9. SECONDARY PISTON KIT

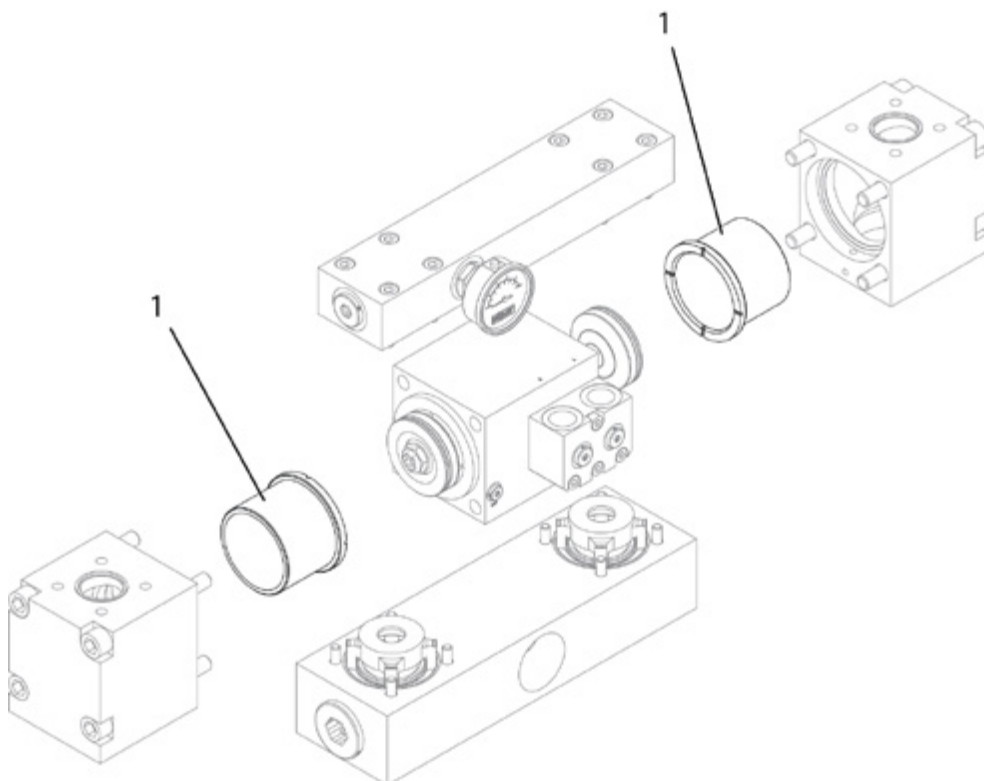


POS	PART NUMBER	QTY	DESCRIPTION	DETAILS	DETAILS 2
	V100 102 425		SECONDARY PISTON KIT		Includes pos. 1-5
1	*	1	SECONDARY PISTON	D75-20	
2	*	1	SUPPORT PLATE	22/45	
3	*	1	WASHER	D34 / d13	
4	*	1	THIN HEX NUT	M16	Stainless steel
5	*	1	O-RING	17 x 2	

* Not sold separately. Available only in kit or assembly described above or presented in separate part list.
Read Details 2

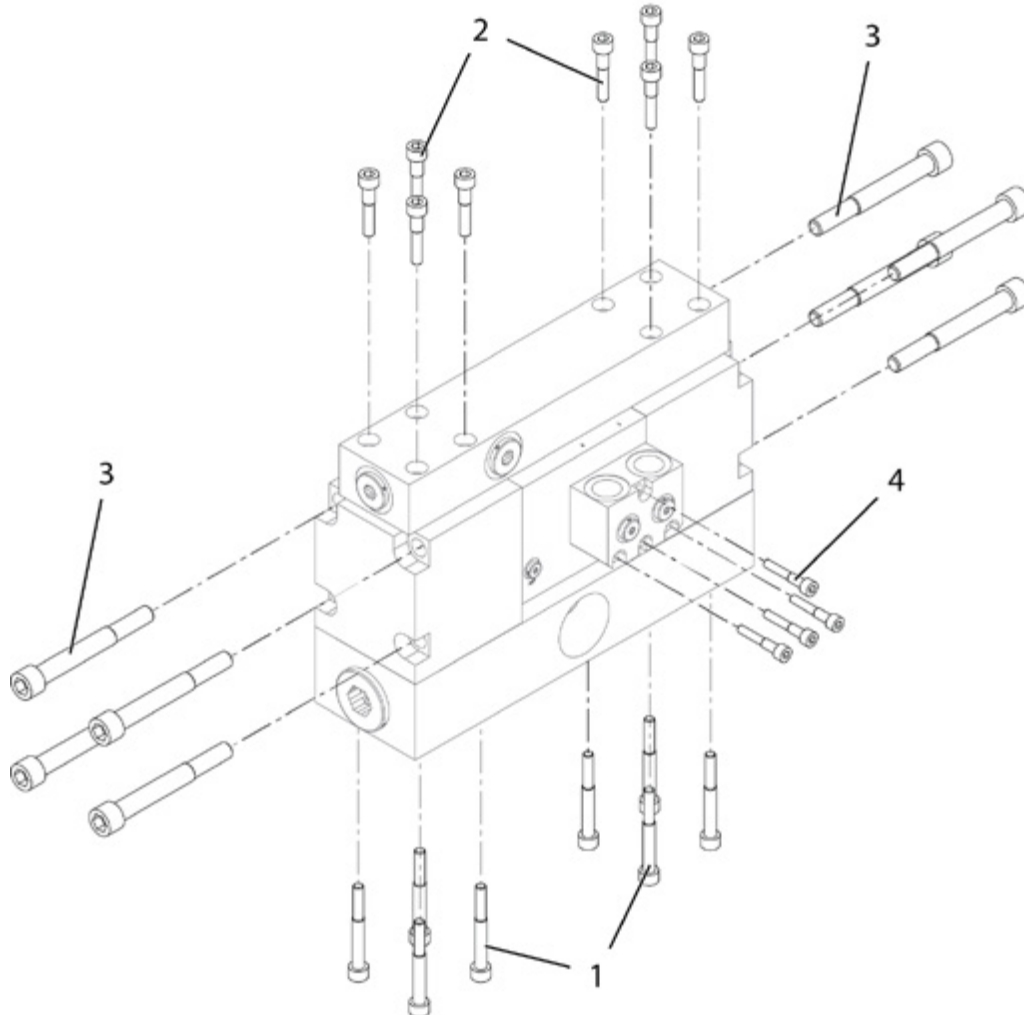
O-ring is also available in Seal kit, see page 20.

10. WATER CYLINDER



POS	PART NUMBER	QTY	DESCRIPTION	DETAILS	DETAILS 2
1	V100 102 395	1	WATER CYLINDER	D75	

11. SCREW KIT



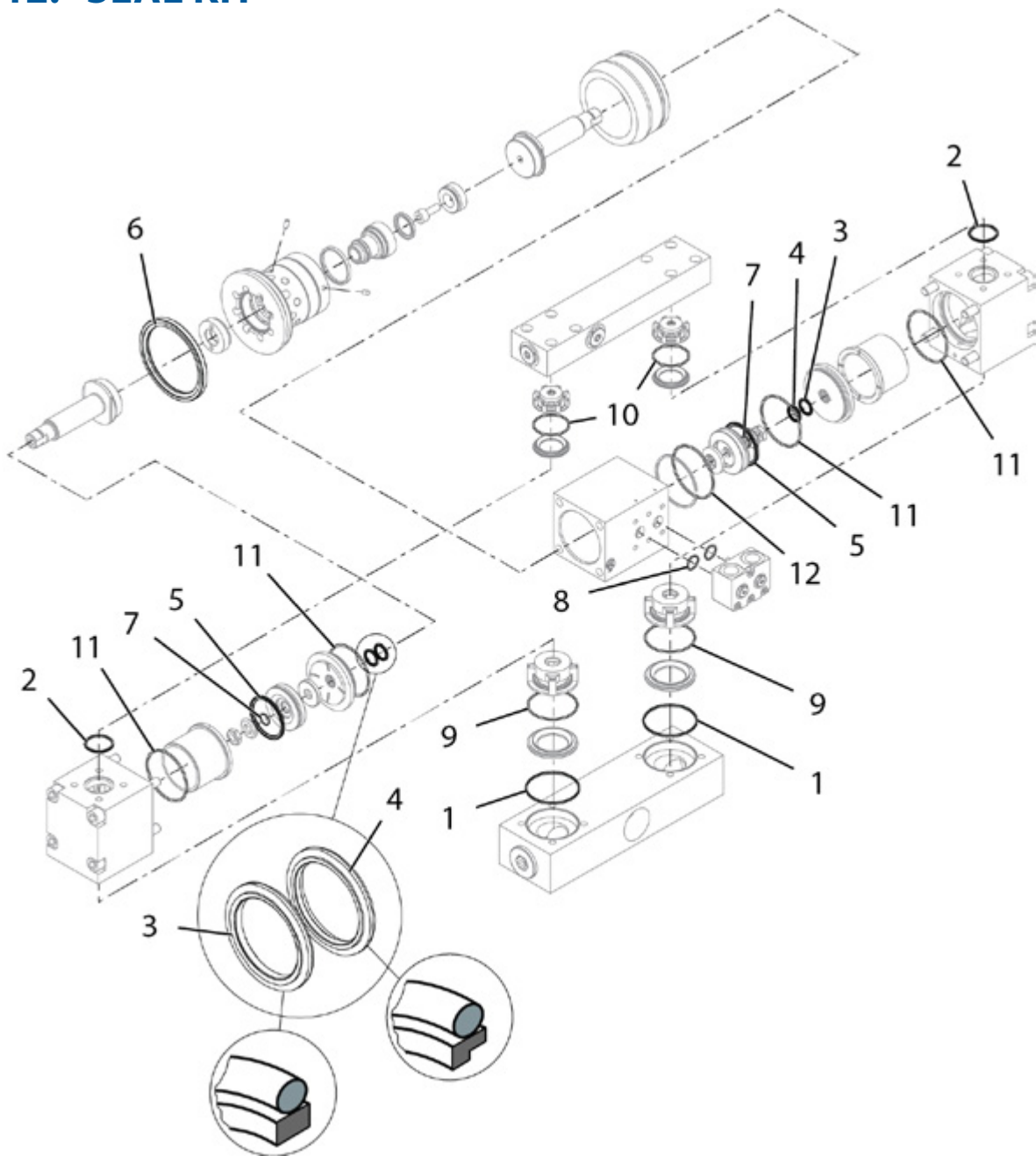
POS	PART NUMBER	QTY	DESCRIPTION	DETAILS	DETAILS 2
	V100 102 408		SCREW KIT		Includes pos. 1-4
1	*	8	HEXAGON SOCKET CAP SCREW	M10 x 80	
2	*	8	HEXAGON SOCKET CAP SCREW	M10 x 50	
3	*	8	HEXAGON SOCKET CAP SCREW	M16 x 130	
4	*	4	HEXAGON SOCKET CAP SCREW	M8x 45	

POS	PART NUMBER	QTY	DESCRIPTION	DETAILS	DETAILS 2
	V100 102 407		SCREW KIT M		Includes pos. 1-4
1	*	8	HEXAGON SOCKET CAP SCREW	M10 x 80	Stainless steel
2	*	8	HEXAGON SOCKET CAP SCREW	M10 x 50	Stainless steel
3	*	8	HEXAGON SOCKET CAP SCREW	M16 x 130	Stainless steel
4	*	4	HEXAGON SOCKET CAP SCREW	M8x 45	Stainless steel

* Not sold separately. Available only in kit or assembly described above or presented in separate part list.
Read Details 2

! **NOTE!** Tightening torques can be found in user manual.

12. SEAL KIT

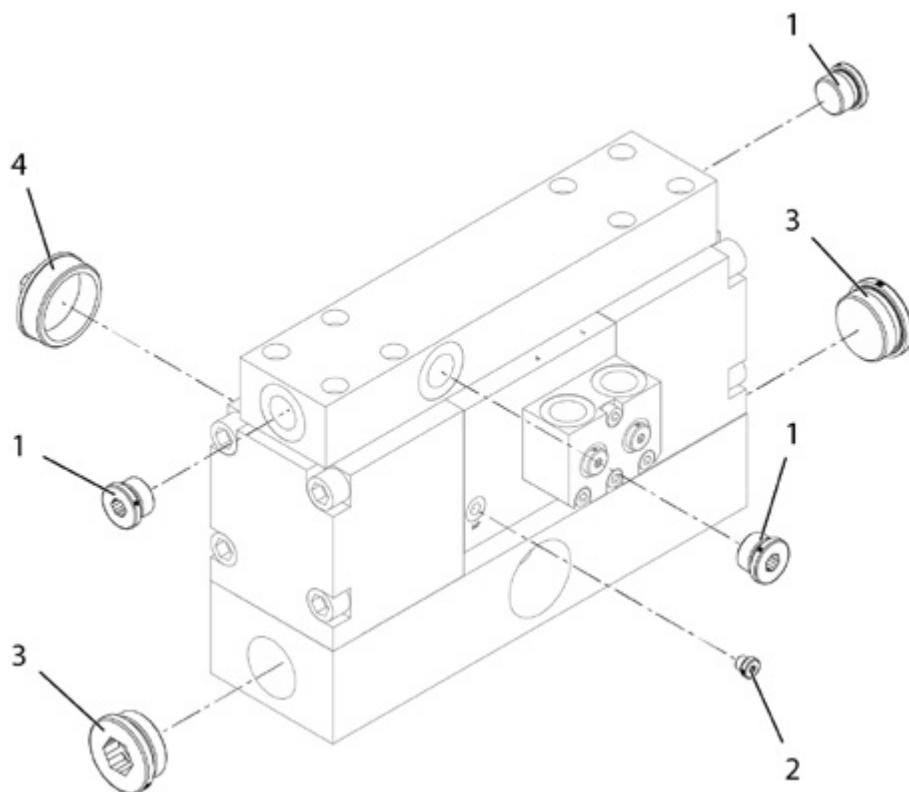


SPARE PARTS

POS	PART NUMBER	QTY	DESCRIPTION	DETAILS	DETAILS 2
	V100 102 400		SEAL KIT		Includes pos. 1-12
1	*	2	SEAL	D86 / d82	
2	*	2	SEAL	D47 / d41	
3	*	2	ROD SEAL	2T	Includes o-ring
4	*	2	ROD SEAL	1T	Includes o-ring
5	*	2	PISTON SEAL ASSEMBLY	M75	
6	*	1	PISTON SEAL ASSEMBLY	M90	
7	*	2	O-RING	17 x 2	
8	*	2	O-RING	21,3 x 2,4	
9	*	2	O-RING	75,87 x 2,62	
10	*	2	O-RING	53,64 x 2,62	
11	*	4	O-RING	84,5 x 3	
12	*	1	O-RING	87 x 3	

* Not sold separately. Available only in kit or assembly described above or presented in separate part list.
Read Details 2

13. PLUG KIT

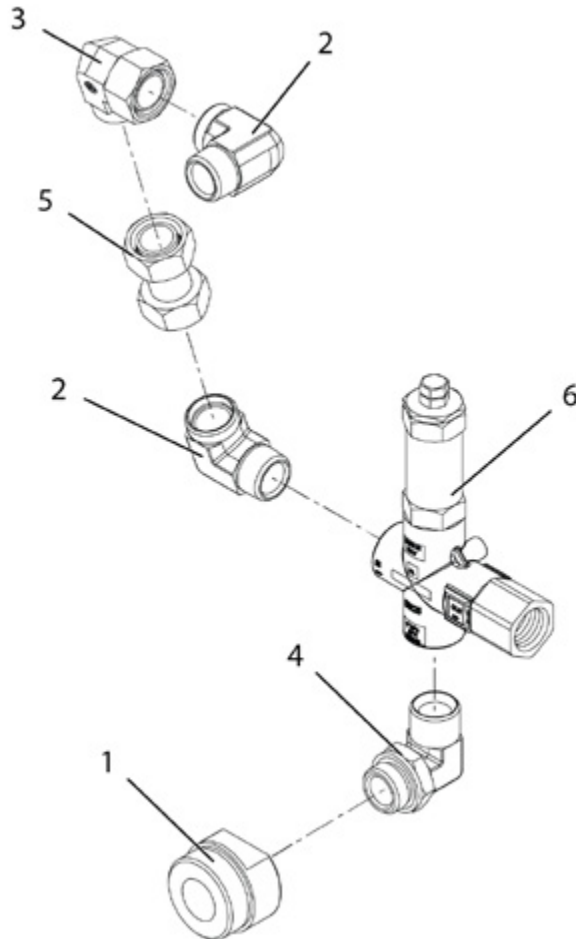


POS	PART NUMBER	QTY	DESCRIPTION	DETAILS	DETAILS 2
	V100 102 402		PLUG KIT		Includes pos. 1-4
1	*	3	HEXAGON SOCKET CAP PLUG	R3/4	
2	*	1	HEXAGON SOCKET CAP PLUG	R1/8	
3	*	2	HEXAGON SOCKET CAP PLUG	R1 1/2	
4	*	1	PLUG	R2	

POS	PART NUMBER	QTY	DESCRIPTION	DETAILS	DETAILS 2
	V100 102 403		PLUG KIT M		Includes pos. 1-4
1	*	3	HEXAGON SOCKET CAP PLUG	R3/4	Stainless steel
2	*	1	HEXAGON SOCKET CAP PLUG	R1/8	Stainless steel
3	*	2	HEXAGON SOCKET CAP PLUG	R1 1/2	Stainless steel
4	*	1	PLUG	R2	

* Not sold separately. Available only in kit or assembly described above or presented in separate part list.
Read Details 2

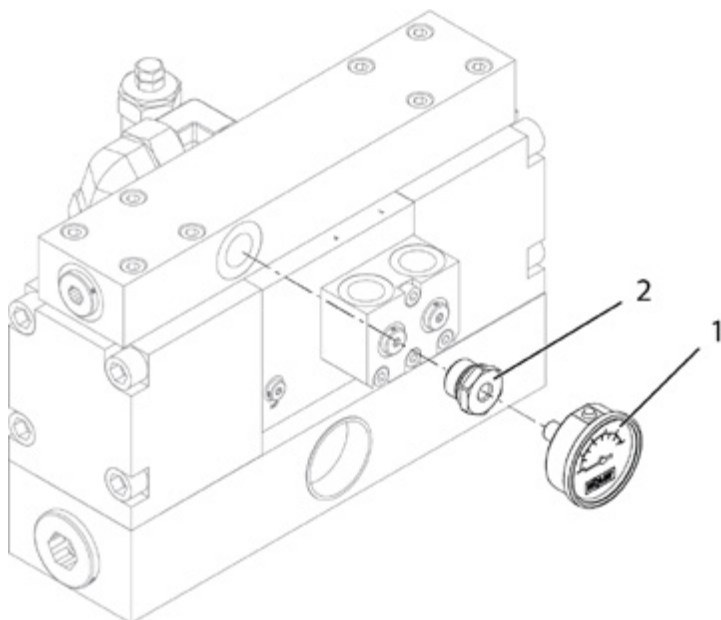
14. UNLOADER VALVE



POS	PART NUMBER	QTY	DESCRIPTION	DETAILS	DETAILS 2
	V100 102 380		UNLOADER VALVE KIT		Includes pos. 1-6
1	*	1	ADAPTER FITTING	R1s - R2u	
2	*	2	ELBOW MALE COUPLING	28L RK1	
3	*	1	ADJUSTABLE ELBOW COUPLING MALE	28L	
4	*	1	90° ADJUSTABLE ADAPTER	R1	
5	*	1	PIPE ASSEMBLY	Pressure	
6	V100 102 390	1	UNLOADER VALVE	180 bar	
	V100 102 385		UNLOADER VALVE INSTALLATION KIT		Includes pos. 1-5
	V100 102 850		UNLOADER VALVE REPAIR KIT	Check valve	

* Not sold separately. Available only in kit or assembly described above or presented in separate part list.
Read Details 2

15. PRESSURE GAUGE KIT



POS	PART NUMBER	QTY	DESCRIPTION	DETAILS	DETAILS 2
	V100 102 412		PRESSURE GAUGE KIT		Includes pos. 1-2
1	V100 102 410	1	PRESSURE GAUGE	Back mount	
2	*	1	REDUCTION	R3/4	

* Not sold separately. Available only in kit or assembly described above or presented in separate part list.
Read Details 2



HPW 130 /180-140

SPARE PARTS



HPW 130 /180-140

SPARE PARTS



HPW 130 /180-140

SPARE PARTS



Menotie 3
FI-33470 Ylöjärvi, Finland
tel: +358 3 3488 200
info@dynaset.com



ELECTRICITY

HG Hydraulic Generator
HGV POWER BOX Variable Hydraulic Generator System
HGV Variable Hydraulic Generator System
HWG Hydraulic Welding Generator
HGG Hydraulic Ground Power Generator



HIGH PRESSURE WATER

HPW Hydraulic High Pressure Water Pump
HPW Hydraulic Power Washer
KPL High Pressure Street Washing Unit
HPW-DUST High Pressure Dust Suppression System
PPL High Pressure Pipe Cleaning Unit
HPW-FIRE High Pressure Firefighting System
FP Fire Fighting Piercing Kit
HDF Hydraulic Drilling Fluid Pump
JPL High Pressure Bin Washing System
HSP Hydraulic Submersible Pump



COMPRESSED AIR

HK Hydraulic Piston Compressor
HKL Hydraulic Rotary Vane Compressor
HKR Hydraulic Screw Compressor



MAGNET POWER

HMG PRO Hydraulic Magnet Generator
MAG Lift Magnet
HMAG PRO Hydraulic Magnet



VIBRATION

HVB Hydraulic Vibration Pump
HVD Hydraulic Directional Vibra
HVC Hydraulic Vibration Compactor
HRC Hydraulic Reversal Cylinder



POWER BOOSTING

HPI Hydraulic Pressure Intensifier
HPI-C Hydraulic Pressure Intensifier for Cylinder



KNOW-HOW

Hydraulic Power Take-off (PTO)
Hydraulic Power Unit Technology
HEU Hydraulic Expansion Unit
HRU Hydraulic Rescue Unis
De-Icing Technology
Installation Valves
HHK Hydraulic Grinder
HV/HVY Hydraulic Winch / Winch Unit

www.dynaset.com

