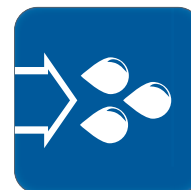




rev 1.0

SPARE PARTS HYDRAULIC DRILLING FLUID PUMP

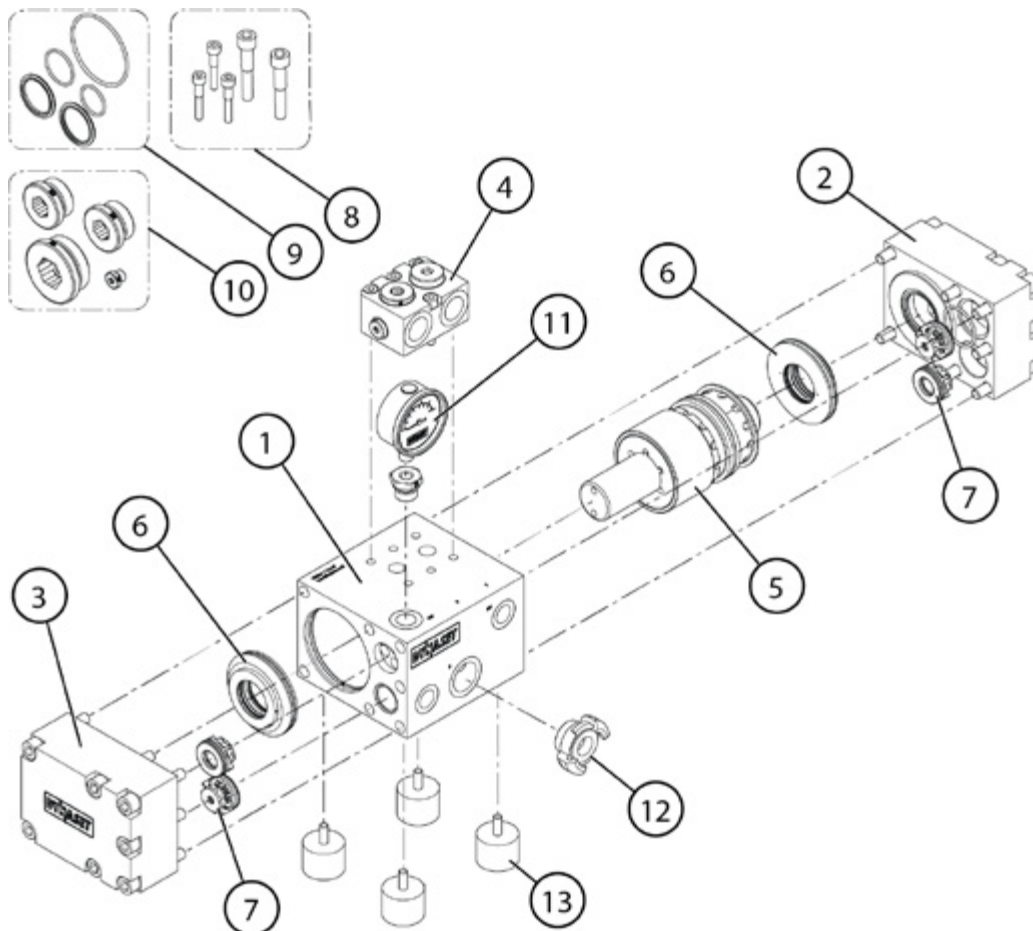


HDF 200 /40-55

SPARE PARTS

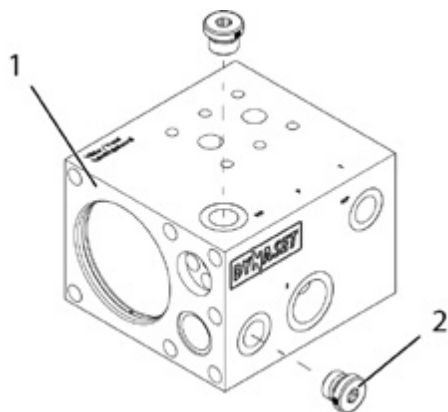
MAIN COMPONENTS	3
1. CENTER BODY	4
2. HEAD RIGHT	5
3. HEAD LEFT	5
4. PT BLOCK	6
5. PISTON	9
6. SEAL FLANGE	10
7. WATER VALVE	11
8. SCREW KIT	12
9. SEAL KIT	14
10. PLUG KIT	16
11. PRESSURE GAUGE	17

MAIN COMPONENTS



POS	PART NUMBER	QTY	DESCRIPTION	DETAILS	DETAILS 2
1		1	CENTER BODY		See separate part list
2		1	HEAD RIGHT		See separate part list
3		1	HEAD LEFT		See separate part list
4		1	PT BLOCK		See separate part list
5		1	PISTON		See separate part list
6		2	SEAL FLANGE		See separate part list
7		2	WATER VALVE KIT		See separate part list
8			SCREW KIT		See separate part list
9			SEAL KIT		See separate part list
10			PLUG KIT		See separate part list
11		1	PRESSURE GAUGE		See separate part list
12	V170 3275 000	1	CLAW COUPLING	25 - R3/4	
13	V100 100 001	1	RUBBER CUSHION KIT	D40 / H30 - M8	

1. CENTER BODY



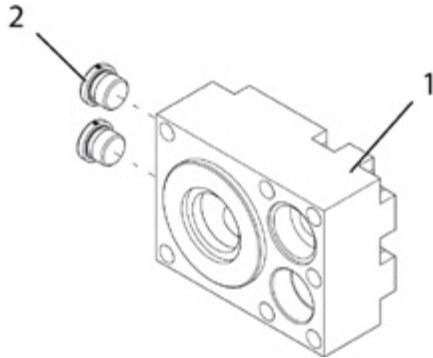
POS	PART NUMBER	QTY	DESCRIPTION	DETAILS	DETAILS 2
1	V100 123 110	1	CENTER BODY	D85	Includes pos. 2
2	*	2	HEXAGON SOCKET CAP PLUG	R1/2	Stainless steel

POS	PART NUMBER	QTY	DESCRIPTION	DETAILS	DETAILS 2
1	V100 123 120	1	CENTER BODY - EX	D85	Includes pos. 2
2	*	2	HEXAGON SOCKET CAP PLUG	R1/2	Stainless steel

* Not sold separately. Available only in kit or assembly described above or presented in separate part list.
Read Details 2

Plugs are also available in Plug kit, see page 16.

2. HEAD RIGHT



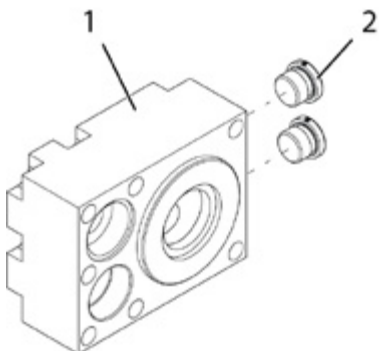
POS	PART NUMBER	QTY	DESCRIPTION	DETAILS	DETAILS 2
1	V100 123 070	1	HEAD RIGHT	D85 / d40	Includes pos. 2
2	*	2	HEXAGON SOCKET CAP PLUG	R1/2	Stainless steel

POS	PART NUMBER	QTY	DESCRIPTION	DETAILS	DETAILS 2
1	V100 123 090	1	HEAD RIGHT - EX	D85 / d40	Includes pos. 2
2	*	2	HEXAGON SOCKET CAP PLUG	R1/2	Stainless steel

* Not sold separately. Available only in kit or assembly described above or presented in separate part list.
Read Details 2

Plugs are also available in Plug kit, see page 16.

3. HEAD LEFT



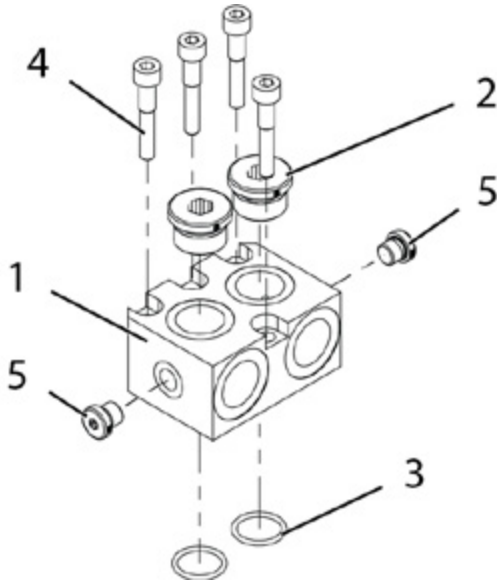
POS	PART NUMBER	QTY	DESCRIPTION	DETAILS	DETAILS 2
1	V100 123 080	1	HEAD LEFT	D85 / d40	Includes pos. 2
2	*	2	HEXAGON SOCKET CAP PLUG	R1/2	Stainless steel

POS	PART NUMBER	QTY	DESCRIPTION	DETAILS	DETAILS 2
1	V100 123 100	1	HEAD LEFT - EX	D85 / d40	Includes pos. 2
2	*	2	HEXAGON SOCKET CAP PLUG	R1/2	Stainless steel

* Not sold separately. Available only in kit or assembly described above or presented in separate part list.
Read Details 2

Plugs are also available in Plug kit, see page 16.

4. PT BLOCK



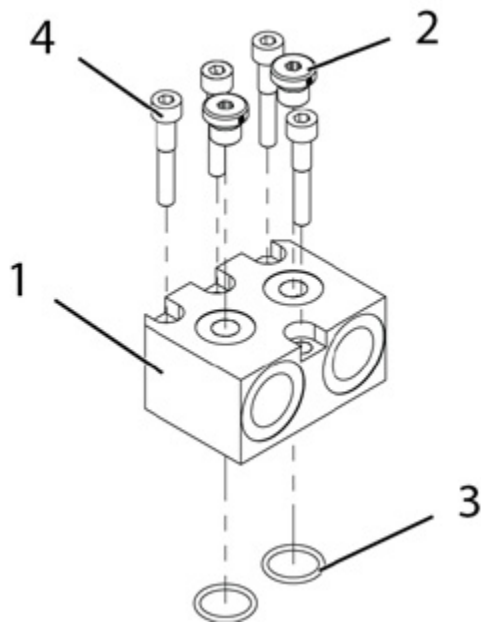
POS	PART NUMBER	QTY	DESCRIPTION	DETAILS	DETAILS 2
	V100 100 700		PT BLOCK		Includes pos. 1-5
1	*	1	PT BLOCK	R3/4 - Al	
2	*	2	HEXAGON SOCKET CAP PLUG	R3/4	
3	*	2	O-RING	21,3 x 2,4	
4	*	4	HEXAGON SOCKET CAP SCREW	M8x45	
5	*	2	HEXAGON SOCKET CAP PLUG	R1/4	

* Not sold separately. Available only in kit or assembly described above or presented in separate part list.
Read Details 2

Screws are also available in Screw kit, see page 12.

O-rings are also available in Seal kit, see page 14.

Plugs are also available in Plug kit, see page 16.



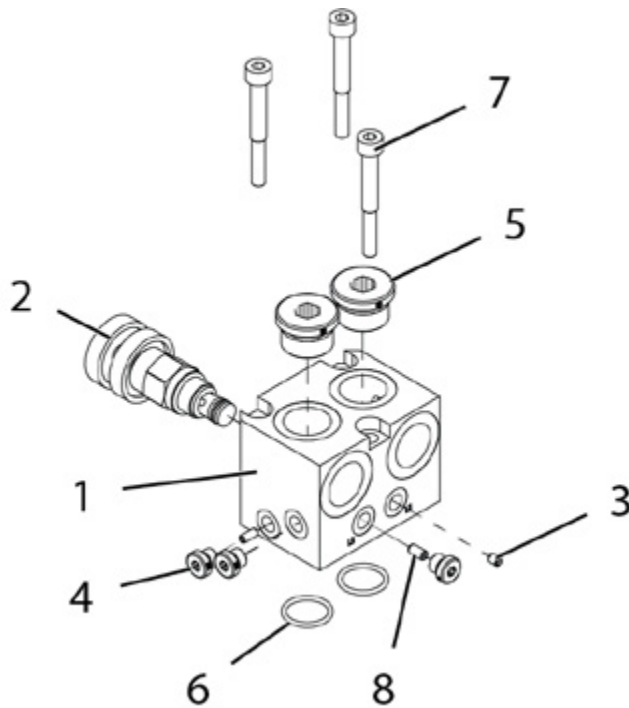
POS	PART NUMBER	QTY	DESCRIPTION	DETAILS	DETAILS 2
	V100 100 720		PT BLOCK AIS		Includes pos. 1-4
1	*	1	PT BLOCK	R3/4	Stainless Steel
2	*	2	HEXAGON SOCKET CAP PLUG	R3/4	Stainless Steel
3	*	2	O-RING	21,3 x 2,4	
4	*	4	HEXAGON SOCKET CAP SCREW	M8x45	Stainless Steel

* Not sold separately. Available only in kit or assembly described above or presented in separate part list.
Read Details 2

Screws are also available in Screw kit, see page 12.

O-rings are also available in Seal kit, see page 14.

Plugs are also available in Plug kit, see page 16.

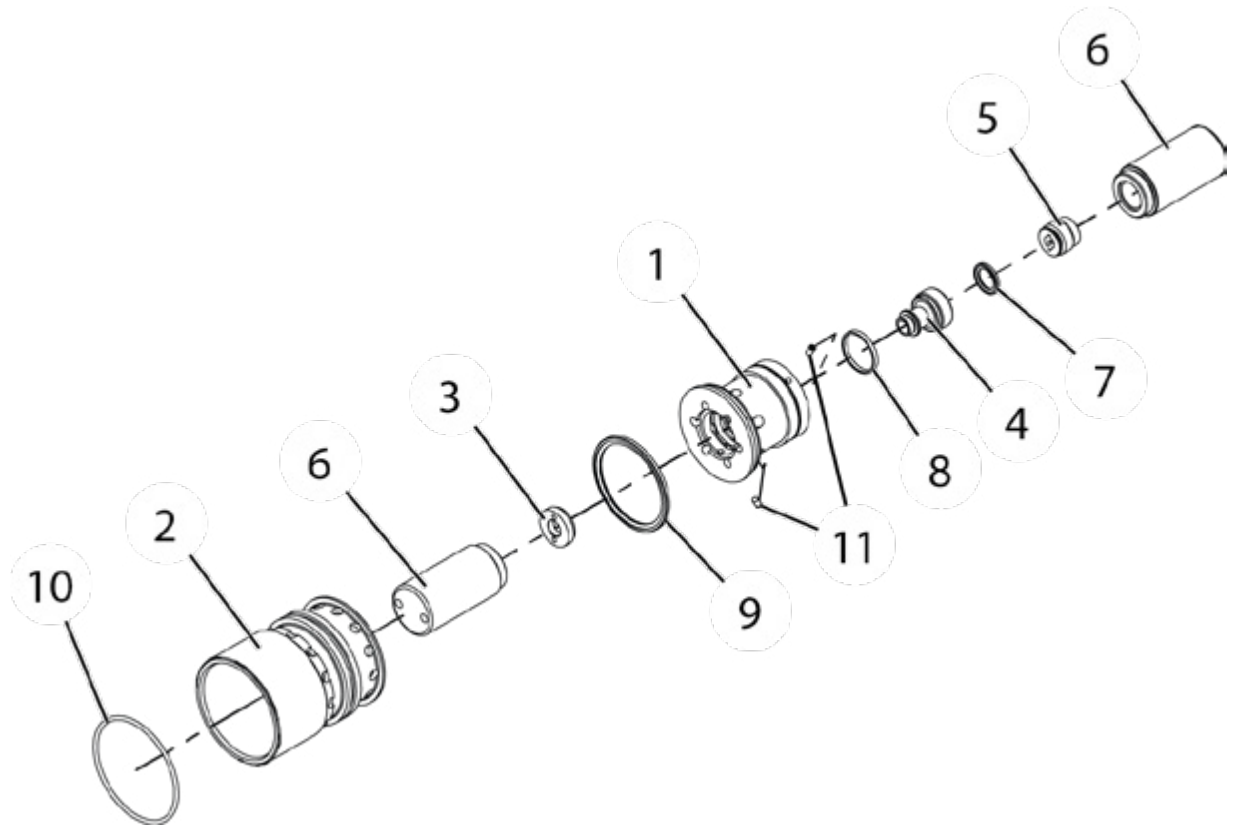


POS	PART NUMBER	QTY	DESCRIPTION	DETAILS	DETAILS 2
	V100 100 730		PT BLOCK LS		Includes pos. 1-8
1	*	1	PT BLOCK	R3/4 - AI - LS	
2	*	1	PRESSURE RELIEF VALVE CARTRIDGE	35-350 bar	
3	*	1	ORIFICE	M6	
4	*	3	HEXAGON SOCKET CAP PLUG	R1/8	
5	*	2	HEXAGON SOCKET CAP PLUG	R3/4	
6	*	2	O-RING	21,3 x 2,4	
7	*	3	HEXAGON SOCKET CAP SCREW	M8x65	
8	*	2	SET SCREW	M4	

* Not sold separately. Available only in kit or assembly described above or presented in separate part list.
Read Details 2

Screws are also available in Screw kit, see page 12.
O-rings are also available in Seal kit, see page 14.
Plugs are also available in Plug kit, see page 16.

5. PISTON

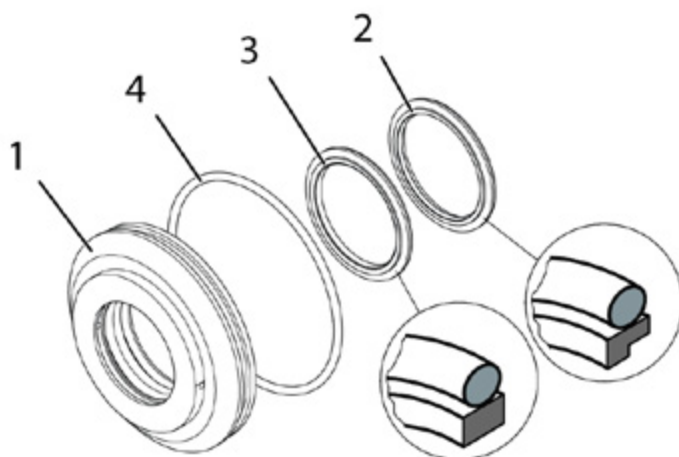


POS	PART NUMBER	QTY	DESCRIPTION	DETAILS	DETAILS 2
	V100 123 050		PISTON KIT		Includes pos. 1-11
1	*	1	HYDRAULIC PISTON	D75 / d60,1	
2	*	1	CYLINDER LINER	D75 / d60,1	
3	*	1	VALVE SEAT	D29,5-8	
4	*	1	VALVE SPOOL	D30-36,5	
5	*	1	REVERSAL VALVE GUIDE	D22,5 - L21	
6	V100 101 978	1	SECONDARY PISTON	D40	Piston kit includes 2 Secondary pistons
7	*	1	PISTON SEAL ASSEMBLY	M24	
8	*	1	ROD SEAL	30/33-3,5	
9	*	1	PISTON SEAL ASSEMBLY	M75	
10	*	1	O-RING	79,5 x 3	
11	*	2	SET SCREW	M5 x 10	
	V100 123 040		HYDRAULIC PISTON KIT	Secondary pistons excluded	Includes pos. 1-5, 8-11
	V100 123 060		REVERSAL VALVE GUIDE KIT		Includes pos. 5, 7

* Not sold separately. Available only in kit or assembly described above or presented in separate part list.
Read Details 2

O-rings and seals are also available in Seal kit, see page 14.

6. SEAL FLANGE

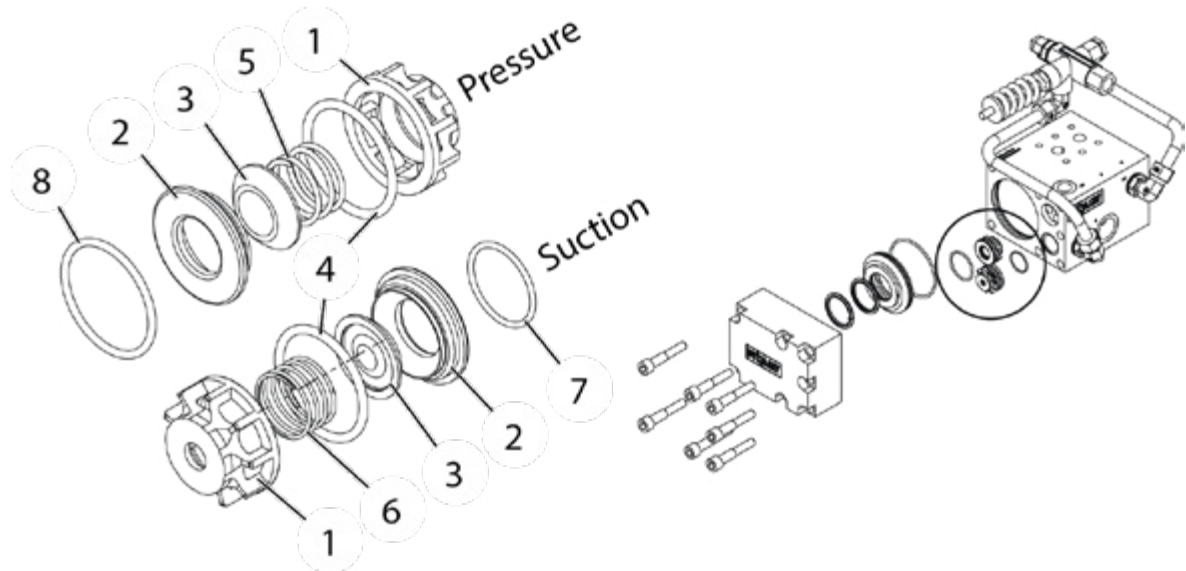


POS	PART NUMBER	QTY	DESCRIPTION	DETAILS	DETAILS 2
	V100 123 140		SEAL FLANGE KIT		Includes pos. 1-4
1	V100 123 130	1	SEAL FLANGE	D85 / d40,1-18,5	
2	*	1	WATER PISTON SEAL	1T	
3	*	1	WATER PISTON SEAL	2T	
4	*	1	O-RING	79,5 x 3	

* Not sold separately. Available only in kit or assembly described above or presented in separate part list.
Read Details 2

O-rings and seals are also available in Seal kit, see page 14.

7. WATER VALVE



NOTE! The pressure valve's spring (5) has less turns than the suction valve's (6) spring.

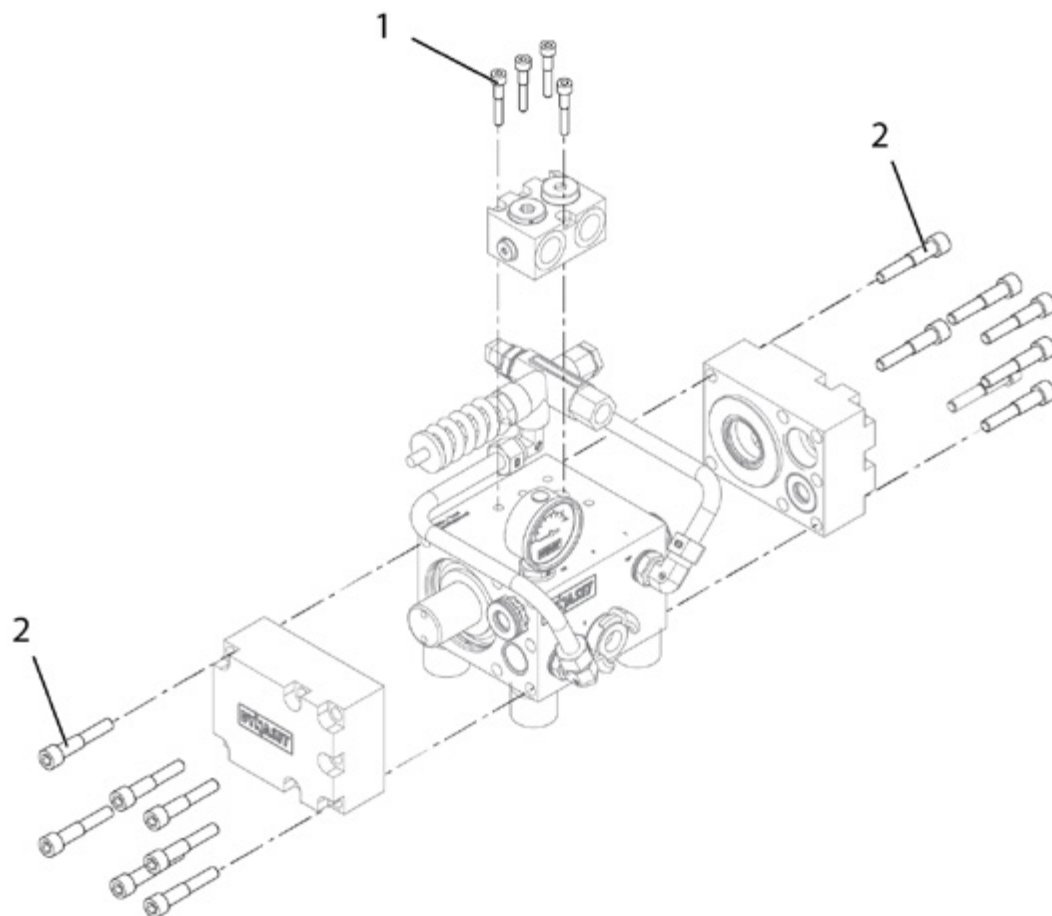
POS	PART NUMBER	QTY	DESCRIPTION	DETAILS	DETAILS 2
	V100 101 975		WATER VALVE KIT	Water valve cab excluded	Includes pos. 2-8
1	V100 123 150	1	WATER VALVE CAB		
2	*	4	WATER VALVE SEAT		
3	*	4	WATER VALVE DISK		
4	*	4	O-RING	31,42 x 2,62	
5	*	2	SPRING	Pressure valve	
6	*	2	SPRING	Suction valve	
7	*	2	O-RING	27 x 2	
8	*	2	O-RING	37,77 x 2,62	

POS	PART NUMBER	QTY	DESCRIPTION	DETAILS	DETAILS 2
	V100 123 030		WATER VALVE KIT HOT	Water valve cab excluded	Includes pos. 2-8
1	V100 123 150	1	WATER VALVE CAB		
2	*	4	WATER VALVE SEAT		
3	*	4	WATER VALVE DISK		
4	*	4	O-RING	31,42 x 2,62	
5	*	2	SPRING	Pressure valve	
6	*	2	SPRING	Suction valve	
7	*	2	O-RING	27 x 2	
8	*	2	O-RING	37,77 x 2,62	

* Not sold separately. Available only in kit or assembly described above or presented in separate part list.
Read Details 2

O-rings are also available in Seal kit, see page 14.

8. SCREW KIT



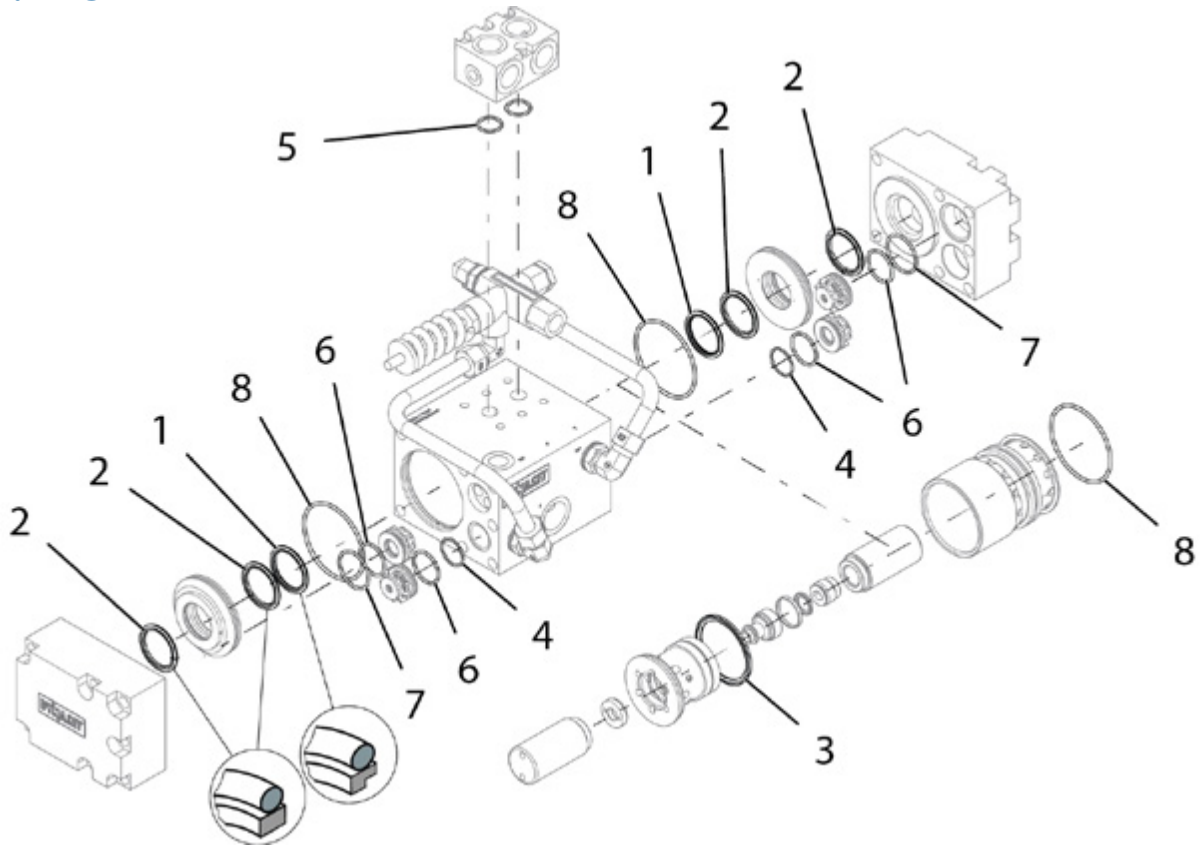
POS	PART NUMBER	QTY	DESCRIPTION	DETAILS	DETAILS 2
	V100 101 977		SCREW KIT		Includes pos. 1-2
1	*	4	HEXAGON SOCKET CAP SCREW	M8 x 45	
2	*	14	HEXAGON SOCKET CAP SCREW	M12 x 65	

POS	PART NUMBER	QTY	DESCRIPTION	DETAILS	DETAILS 2
	V100 123 000		SCREW KIT M		Includes pos. 1-2
1	*	4	HEXAGON SOCKET CAP SCREW	M8 x 45	
2	*	14	HEXAGON SOCKET CAP SCREW	M12 x 65	

* Not sold separately. Available only in kit or assembly described above or presented in separate part list.
Read Details 2

 **NOTE!** Tightening torques can be found in user manual.

9. SEAL KIT



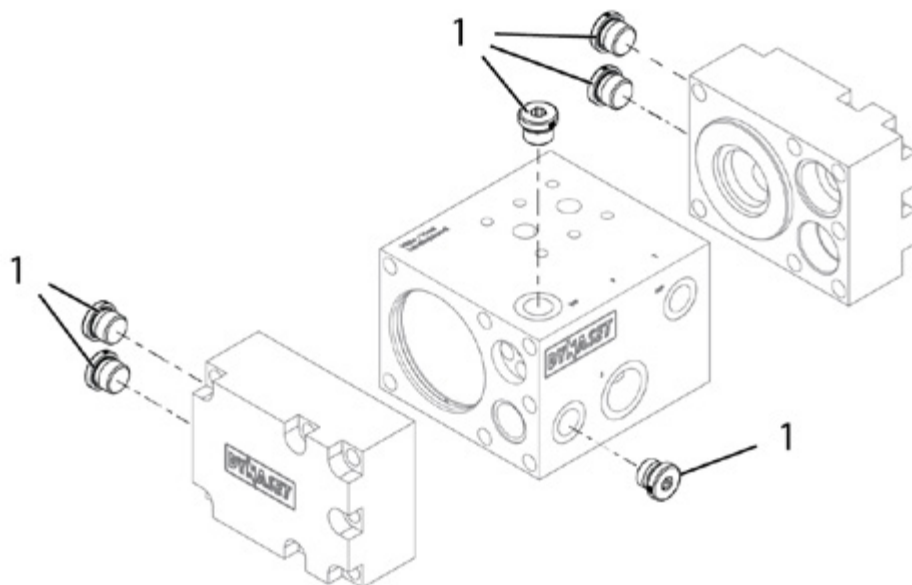
SPARE PARTS

POS	PART NUMBER	QTY	DESCRIPTION	DETAILS	DETAILS 2
	V100 101 976		SEAL KIT		Includes pos. 1-8
1	*	2	WATER PISTON SEAL	1T	Includes o-ring
2	*	4	WATER PISTON SEAL	2T	Includes o-ring
3	*	1	PISTON SEAL ASSEMBLY	M75	
4	*	2	O-RING	27 x 2	
5	*	2	O-RING	21,3 x 2,4	
6	*	4	O-RING	31,42 x 2,62	
7	*	2	O-RING	37,77 x 2,62	
8	*	3	O-RING	79,5 x 3	

POS	PART NUMBER	QTY	DESCRIPTION	DETAILS	DETAILS 2
	V100 123 020		SEAL KIT HOT		Includes pos. 1-8
1	*	2	WATER PISTON SEAL	1T	Includes o-ring
2	*	4	WATER PISTON SEAL	2T	Includes o-ring
3	*	1	PISTON SEAL ASSEMBLY	M75	
4	*	2	O-RING	27 x 2	
5	*	2	O-RING	21,3 x 2,4	
6	*	4	O-RING	31,42 x 2,62	
7	*	2	O-RING	37,77 x 2,62	
8	*	3	O-RING	79,5 x 3	

* Not sold separately. Available only in kit or assembly described above or presented in separate part list.
Read Details 2

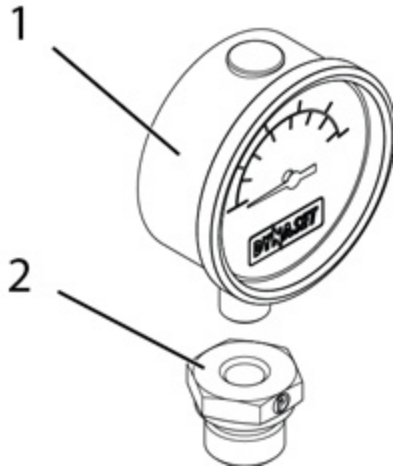
10. PLUG KIT



POS	PART NUMBER	QTY	DESCRIPTION	DETAILS	DETAILS 2
	V100 123 10		PLUG KIT		Includes pos. 1
1	*	6	HEXAGON SOCKET CAP PLUG	R1/2	Stainless steel

* Not sold separately. Available only in kit or assembly described above or presented in separate part list.
Read Details 2

11. PRESSURE GAUGE



POS	PART NUMBER	QTY	DESCRIPTION	DETAILS	DETAILS 2
	V100 123 160		PRESSURE GAUGE KIT		Includes pos. 1-2
1	V100 123 165	1	PRESSURE GAUGE	D63 - 250 bar	
2	*	1	REDUCTION	1/2u - 1/4	Stainless steel

* Not sold separately. Available only in kit or assembly described above or presented in separate part list.
Read Details 2



HDF 200 /40-55

SPARE PARTS



HDF 200 /40-55

SPARE PARTS



Menotie 3
FI-33470 Ylöjärvi, Finland
tel: +358 3 3488 200
info@dynaset.com



ELECTRICITY

HG Hydraulic Generator
HGV POWER BOX Variable Hydraulic Generator System
HGV Variable Hydraulic Generator System
HWG Hydraulic Welding Generator
HGG Hydraulic Ground Power Generator



HIGH PRESSURE WATER

HPW Hydraulic High Pressure Water Pump
HPW Hydraulic Power Washer
KPL High Pressure Street Washing Unit
HPW-DUST High Pressure Dust Suppression System
PPL High Pressure Pipe Cleaning Unit
HPW-FIRE High Pressure Firefighting System
FP Fire Fighting Piercing Kit
HDF Hydraulic Drilling Fluid Pump
JPL High Pressure Bin Washing System
HSP Hydraulic Submersible Pump



COMPRESSED AIR

HK Hydraulic Piston Compressor
HKL Hydraulic Rotary Vane Compressor
HKR Hydraulic Screw Compressor



MAGNET POWER

HMG PRO Hydraulic Magnet Generator
MAG Lift Magnet
HMAG PRO Hydraulic Magnet



VIBRATION

HVB Hydraulic Vibration Pump
HVD Hydraulic Directional Vibra
HVC Hydraulic Vibration Compactor
HRC Hydraulic Reversal Cylinder



POWER BOOSTING

HPI Hydraulic Pressure Intensifier
HPI-C Hydraulic Pressure Intensifier for Cylinder



KNOW-HOW

Hydraulic Power Take-off (PTO)
Hydraulic Power Unit Technology
HEU Hydraulic Expansion Unit
HRU Hydraulic Rescue Unis
De-Icing Technology
Installation Valves
HHK Hydraulic Grinder
HV/HVY Hydraulic Winch / Winch Unit

www.dynaset.com

